

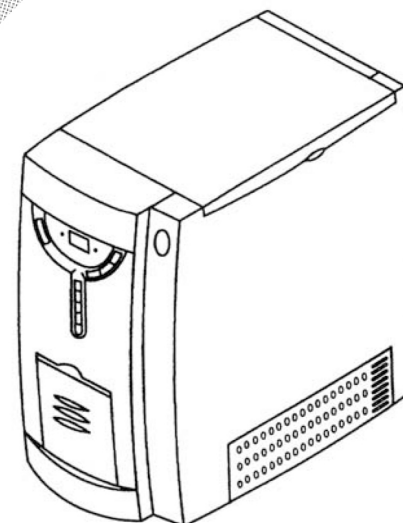
CAB

DISTRIBUTEUR DE SERVIETTES OSHIBORI

■ Manuel utilisateur

SFT-2001

ENGLISH MANUAL



modèle : SFT-2001

INDEX

1. FEATURES	3
2. PARTS DESCRIPTION	4
3. PROPER INSTALLATION	5
4. HOW TO OPERATE	
1) FLOW CHART OF GENERAL OPERATION	6
2) TOWEL INSTALLATION	6
3) WATER CONTAINER INSTALLATION	7
4) TEMPERATURES SELECTION IN HOT OR ROOM TOWELS	7
5) SET-UP THE MAIN POWER	8
6) DIRECTION TO CONTROL TOWEL QUANTITY	8
7) DIRECTION TO ADJUST THE LENGTH OF THE TOWEL	9
8) DIRECTION TO ADJUST HOT WATER TEMPERATURE	9
9) DIRECTION TO CONTROL MOISTURE AMOUNT OF TOWEL	9
10) CANCELLATION DURING THE OPERATION	9
11) MESSAGE OF DISPLAY PANEL	9
5. HOW TO CELAN WATER TANK GUIDE	10
6. TROUBLESHOOTING GUIDE	11
7. CAUTION	12
8. CHECK POINTS BEFORE CALLING FOR A/S	13
9. SPECIFICATION	14

1. FEATURES

SOT-2000 and SOT-2001 Series

Uniquely developed our towel dispenser has its special features;

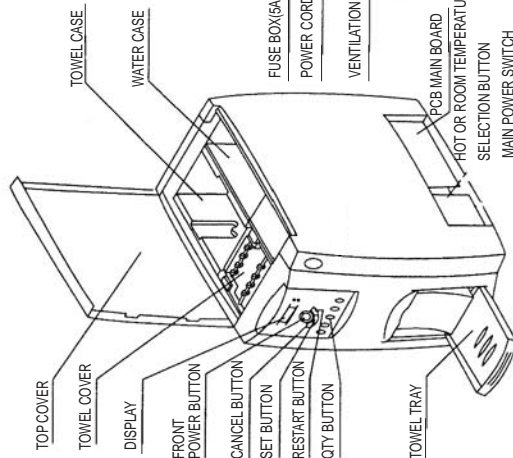
The combination of separate and independent part structures for easy maintenance, Anti-scales all stainless steel water tank which prevents blockage of nozzle, and state of the art heating system.

These will bring you the perfect satisfaction

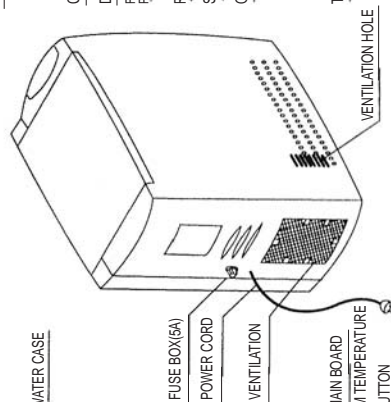
1. Advanced technological blade and transferring towel system repel clogging towel.
2. Improved conveyor system prevents towel from jamming and keep towel rolling in good conditions.
3. Adjustable length of towel 200mm to 350mm through digital display.
4. Handy temperature adjustment function from 60°C to 95°C
5. Water tank made by stainless steel prevents blockage caused by scales.
6. Filter inside the machine which enables water to keep sanitized.
7. Water container structured and designed for antibiosis.
8. Adjustable moisture of towel.
9. Maximum 250 rolled towels available (250mm per towel) at one loading.
10. Coin vending function (optional).
11. Water container that holds 2.4 liter water can produce 250 pieces of wet towel without further refill.

2. PARTS DESCRIPTION

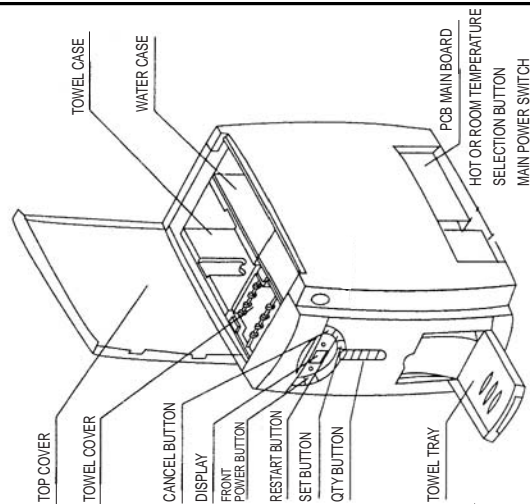
FRONT SIDE



REAR SIDE



FRONT SIDE

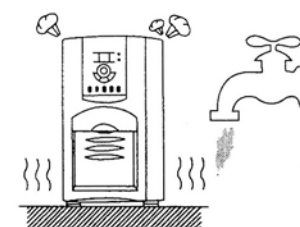
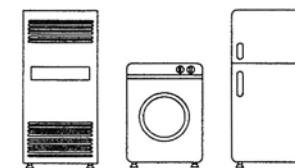
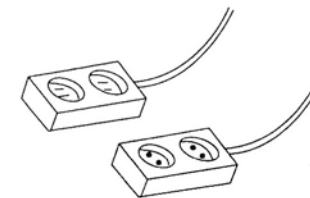


(SOT-2000)

(SOT-2001)

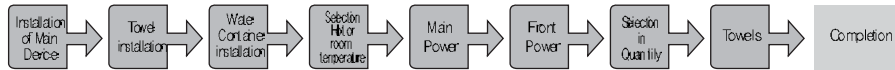
3. PROPER INSTALLATION

1. Place machine at least 15cm distance from wall
2. Place machine away from heat or direct sunshine.
3. Install machine on fairly even place.
4. Don't move machine during the operation.
5. Use electrically qualified power connection and extension.
 - ★ Excessive use of plugs to a single – phase power outlet may cause electric shortage.
6. Install machine away from other electric appliances.
7. Don't put the thing on the machine.
8. Don't install machine in the wet place.

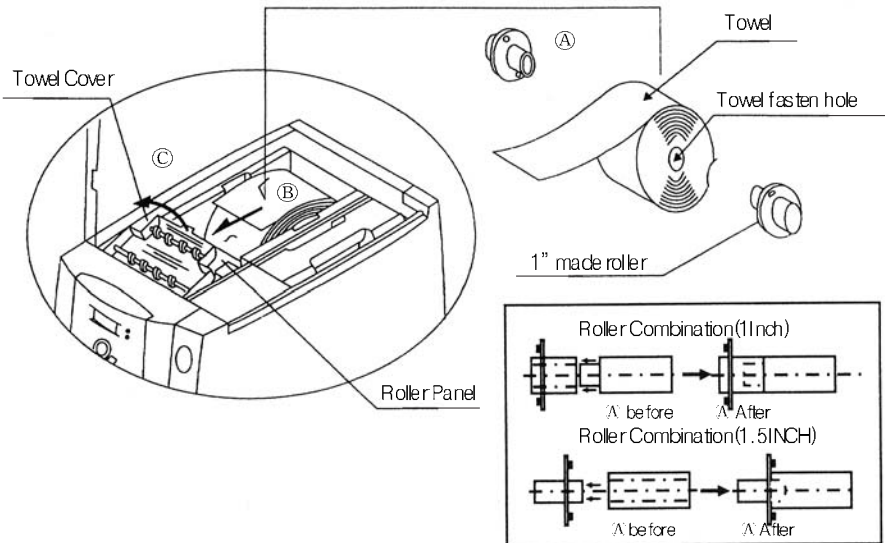


4. HOW TO OPERATE - A -

1) Flow chart of general operation



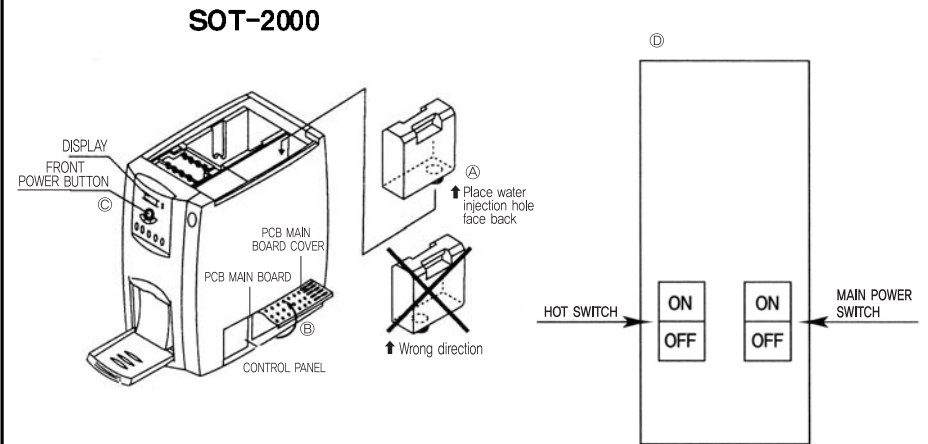
2) Towel installation



PICTURE : A-A

1. Check out the size of towel fasten hole.
 2. Use male roller for small hole (1 inch)
 3. For a big hole (1.5 inch), Fasten the towel by combining female and male roller as shown by picture A-A.
 4. Put the towel with roller in the towel case as shown picture B
 5. Lift up the towel cover and insert the towel without any wrinkle between towel cover and roller panel as shown by picture C
- * Push in the towel about 50-60mm when you insert the towel.

4. HOW TO OPERATE - B -



3) Water container installation

- Take water container out and fill it with the clean water
Then put it back as shown by picture A

* Caution : if water container direction is not correct, the machine could not work properly

4) Temperature selection in hot or room towels

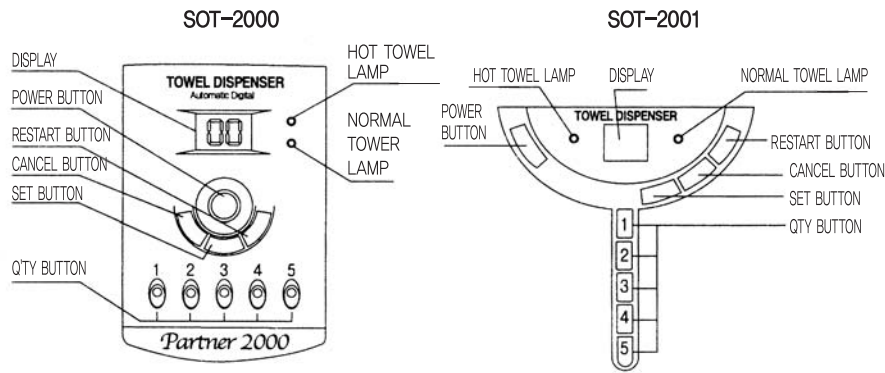
1. Open the PCB main board cover from the machine as shown by picture B
2. Then you can see hot or room temperature selection button on the control panel.
3. Select one out of hot or room temperature as shown by picture D

* Caution : Turn off the main power if you don't use for a long time

5) Set - up the main power

- * Press the front power switch as shown by C for 2-3 seconds, Then the machine will be ready to operate by light-on of display panel with beep sound.

4. HOW TO OPERATE -C-

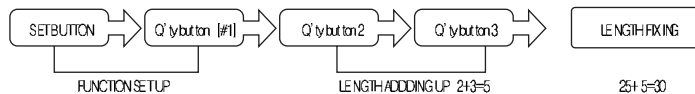


6) Direction to control towel quantity

- * Less than 5 pieces
Press the button you need among 1~ 5
- * More than 5 pieces
Please add the number by pressing q'ty button subsequently
Then you can see number added through display
Ex) 6pieces needed : 3+3(Press # 3twice) or 2+2+2(Press #2 three times) 12 Pieces needed :
5+5+2or 4+4+4
- * Maximum pieces at one time : 50 pieces

7) Direction to adjust the length of the towel

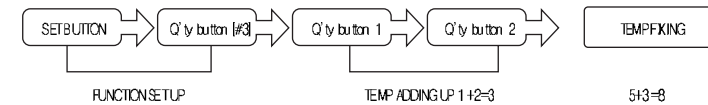
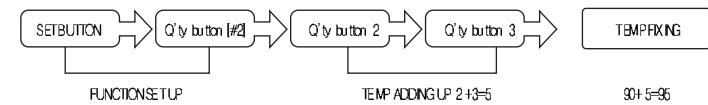
- * Press the "Set" and "#1" button at the same time
- * The display will indicate "P" and "a certain number" which means current length of towel appears immediately
- * If "25" is shown through display, the current length of towel is 250mm.
So if you want 300m length of towel, Add number by pressing number button
(1+1+1+1+1+1 or 2+2+1 or 2+3) and make 30
- * Then "30" is shown on the display and press "Set button" again right away
- * It is settled with a beeb sound
- * The range of towel length : 200mm~350mm



4. HOW TO OPERATE -D-

8) Direction to adjust hot water temperature

- * Press the "Set" and "2#" button at the same time
- * The display will indicate "H" and "a certain number", which means current hot temperature degree
- * If "90" is shown through display, If is current temperature degree So if you want to change to 95°C, Add number by pressing number button(1+1+1+1+1+1 or 2+2+1 or 2+3) and make 95°C
- * Then "95" is shown on the display and press "Set button" Again right away
- * It is settled with a beep sound
- * The range of hot temperature : 60 ~ 95 °C



9) direction to control moisture amount of towel

- * Press the "Set" and "#5" button at the same time
- * The display will indicate "a certain number" which means current moisture amount
- * If you need to adjust moisture amount, Add number by pressing number button
- * Proceed with adjustment of the number until moisture amount is proper
- * Then Press "Set button" again right away
- * If is settled with a beep sound
- * The range of moisture amount : 1~20

10) Cancellation during the operation

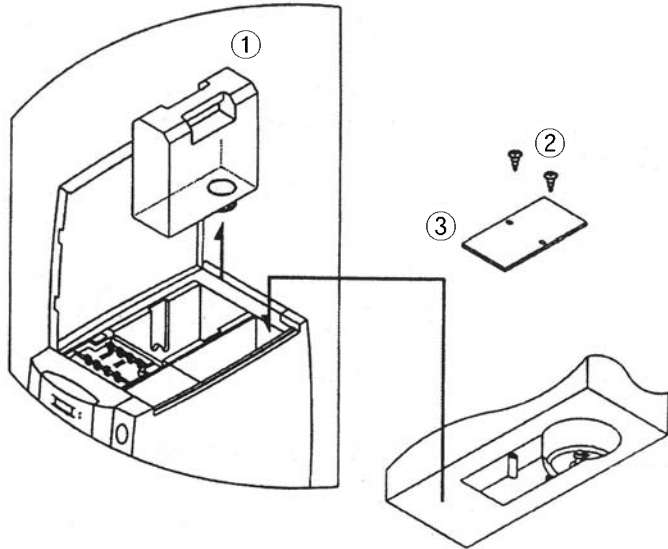
If you press "Cancel button" during the operation, then current operation will be cancelled right away.

11) Message of display panel

- Whenever the towel or water is run out, this machine automatically shows the message on the display with alarm.

E1.....run out of towel	E4.....cutter blade problem
E2.....run out of water	E5.....front panel opened
E3.....towel motor problem	

5. HOW TO CLEAN WATER TANK GUIDE



► Disassemble procedure

1. Take out the water tank ①
2. Unscrew two piece of bolts ②
3. Open the lid ③

► Cleaning

1. Clean water tank guide surface with soft cloth

► Assembly procedures

1. Assemble the parts in opposite way.

* Cautions ; The cork should not be opened as well.

6. TROUBLESHOOTING GUIDE

Power disconnected	<ol style="list-style-type: none"> 1. Confirm if electricity supplied to the outlet 2. Check if the fuse is well connected. In case if fuse blown, replace fuse (placed on the backside) 3. Check whether main power (left side) is on 4. Check whether the power button on the front is on 	
Towel is not available	<ol style="list-style-type: none"> 1. Confirm if the towel is placed in the towel case 2. Check out the water in the water container 3. Move up or down the sensor on the bottom of water container. 	
Room not available	<ol style="list-style-type: none"> 1. Check if you select room towel function. 2. Wait for at least 1 hour after the conversion of room temperature position. 	
Hot not available	<ol style="list-style-type: none"> 1. Check if hot switch is in ON position 2. Wait for 15 minutes after the conversion of hot position. 3. Maintain the hot water after 10 to 15 min. in the beginning 	<p>★ This panel is located in upper right inside of the front door of the unit.</p>

7. CAUTION

WATER SUPPLY	<ol style="list-style-type: none"> 1. DO NOT USE ANY SALT WATER CONTAINED. 2. DO NOT USE ANY CALCIUM WATER CONTAINED. 3. USE PURE AND CLEAN WATER 4. IMPURE WATER MAY CAUSE IMPROPER OPERATION AND HARM SKINS
TOWEL INSTALLATION	<ol style="list-style-type: none"> 1. GENTLY SPREAD TOWEL SHOULD BE INSERTED 2. IMPROPER TOWEL MAY CAUSE MALFUNCTION. 3. DO NOT USE MORE THAN TWO-FOLD TOWELS
SANITARY CHECK POINTS	<ol style="list-style-type: none"> 1. CLEANING WATER CONTAINER IN EVERY 10 DAY IS RECOMMENDABLE 2. KEEPING EXTERNAL WATER CONTAINER CLEAN WILL INCREASE THE LIFE OF PRODUCT. 3. DIRTY WATER CONTAINER MAY CAUSE TROUBLE
QUALIFIED SUITABLE TOWEL SHOULD BE USED	<ol style="list-style-type: none"> 1. SUITABLE WEIGHT OF TOWEL IS 50g~60g / SQM 2. USAGE OF HIGH QUALITY TOWEL WILL INCREASE THE LIFE OF PRODUCT. 3. KEEP TOWEL AWAY FROM HUMIDITY <p>* IF YOU DO NOT USE THE AUTHORIZED TOWEL MADE BY NATURAL PULP WITH PRODUCT. IT MAY CAUSE BAD CUTTING AND IMPROPER ROLLING STATUS. AND ALSO IT WILL CAUSE OUT OF ORDER.</p>

8. CHECK POINTS BEFORE CALLING FOR A/S

1. CHECK IF THE PLUG IS WELL-SECURED
2. CHECK IF THE FUSE IS IN PROPER CONDITIONS
3. CHECK IF THE MAIN POWER SWITCH IS "ON" CONDITION
4. CHECK IF THE TOWEL IS RUNNING OUT INSIDE--IN THIS CASE, YOU CAN SEE "E1" SIGN ON THE DISPLAY
5. CHECK IF THE WATER IN THE WATER CONTAINER IS RUNNING OUT-- IN THIS CASE, YOU CAN SEE "E2" SIGN ON THE DISPLAY
6. CHECK IF DRAIN PIPE CAP LOCKED PROPERLY
7. OPEN THE FRONT COVER AND CHECK OUT TOWEL JAMMED

